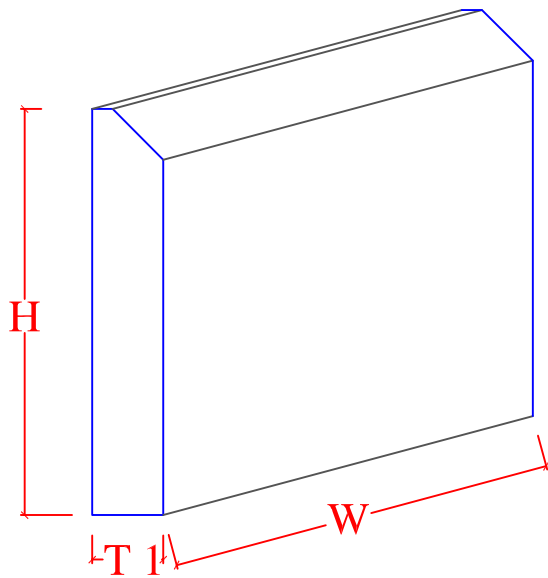
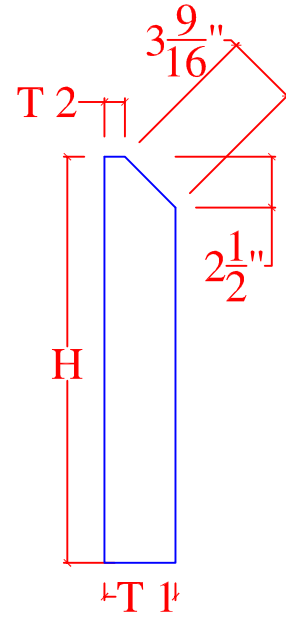
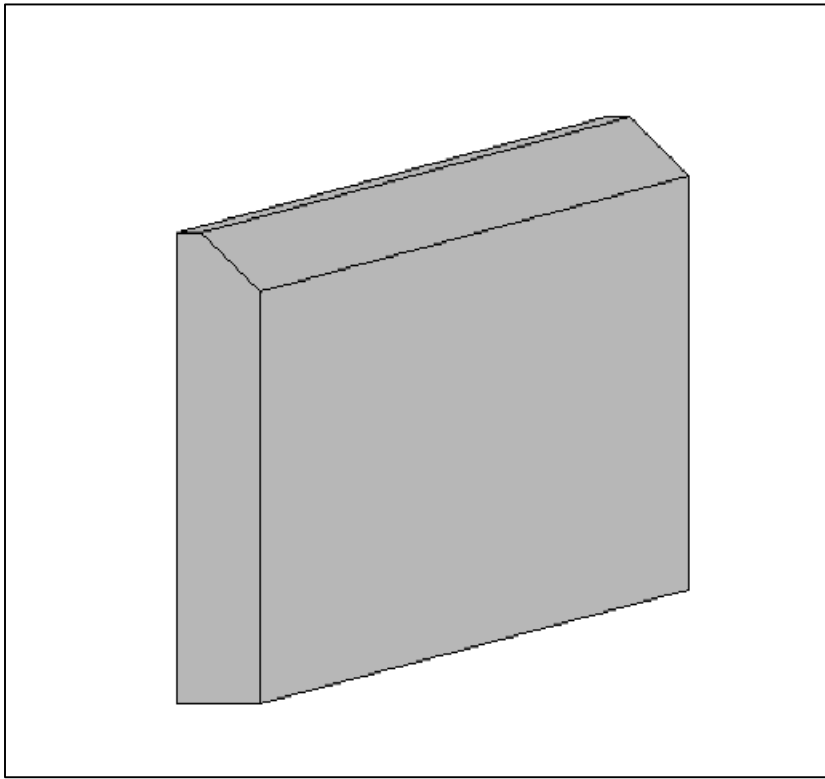
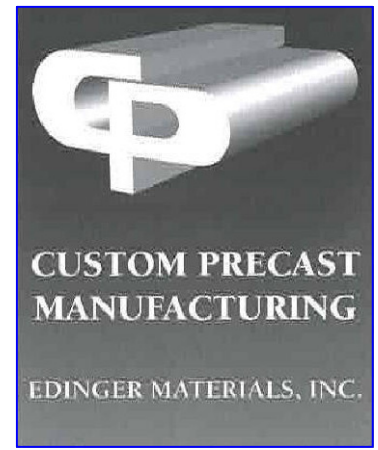


CL 43



ITEM	W1	T 1	H	T 2
CL 43-18	24"	3 1/2"	18"	1"
CL 43-38	24"	3 1/2"	38"	1"